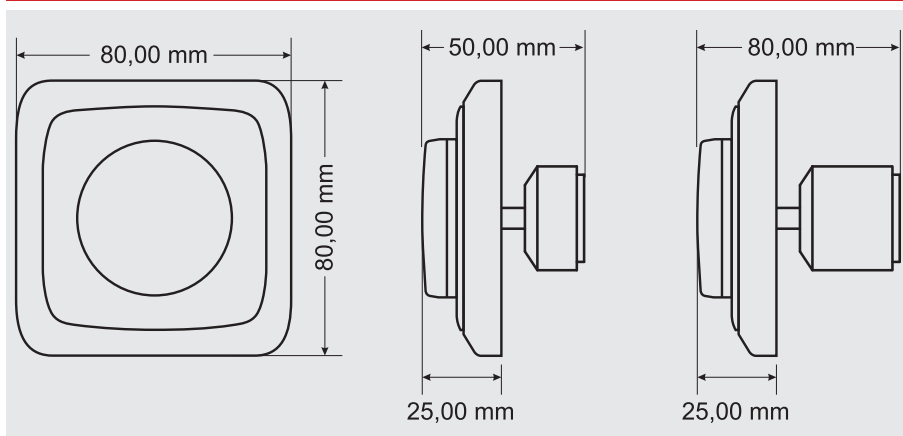




PR 300, PR 300S

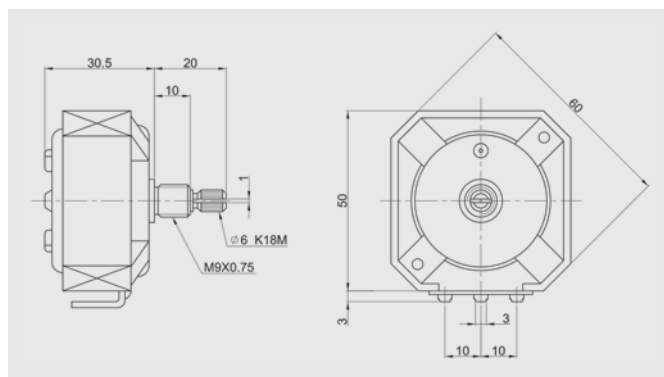
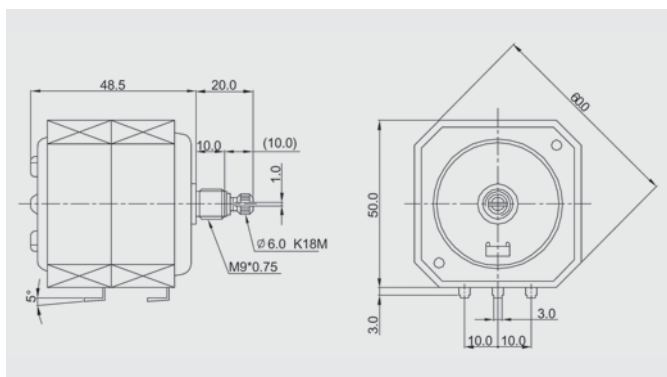
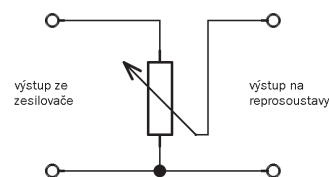
PR 300, PR 300S



Low impedance volume controller

Volume controller for low impedance (not 100 V) speaker line systems for direct connection to amplifier and speaker. Especially for sounding non so large scale systems. Available in mono or stereo version.

Electrical connection



Technical datas

- connection to a low impedance (4 Ω or 8 Ω) system
- suitable for home sounding, where required volume control of common speakers, also to adjust the sensitivity of the tweeter, etc.
- wirewound potentiometer
- double resistance path type B, linear course, continuous control
- possibility of total shutdown
- mono or stereo (S) version
- potentiometer can be purchased separately or with cover
- version with cover is based on ABB Tango front cover, does not contain outer frame (can be multiple), which must be purchased
- load capacity 30 W rms / 8 Ω
- travel resistance 100 $\Omega \pm 10\%$

- angle of rotation 300 $^\circ$
- service life 15,000 cycles
- working temperature - 15 - 70 $^\circ\text{C}$
- shaft \varnothing (thousand edges) 6 mm
- thread for mounting (around the shaft) M9
- external dimensions mono version PR 300 80 \times 80 \times 55 mm
- external dimensions of stereo version PR 300S 80 \times 80 \times 80 mm

PR 300 potentiometer	Cat. Nr.: 12 290	pc
PR 300 complete volume controller	Cat. Nr.: 12 271	pc
PR 300S potentiometer	Cat. Nr.: 12 291	pc
PR 300S complete volume controller	Cat. Nr.: 12 272	pc