

### KEY FEATURES

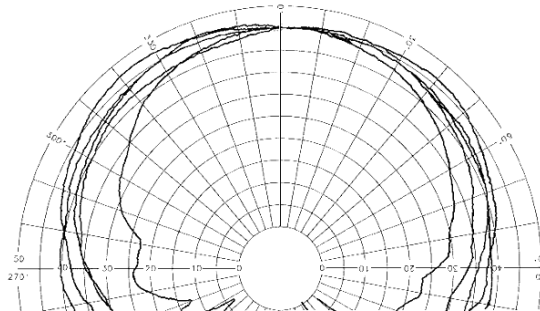
- 1.5" (37.6 mm) edgewound aluminium ribbon voice coil
- Great power handling: 25 w AES
- High Sensitivity: 105 dB
- Very similar model to the CP22 but with wider horizontal dispersion (140°)
- Designed for applications with need of wide horizontal dispersion and precise high frequency coverage.



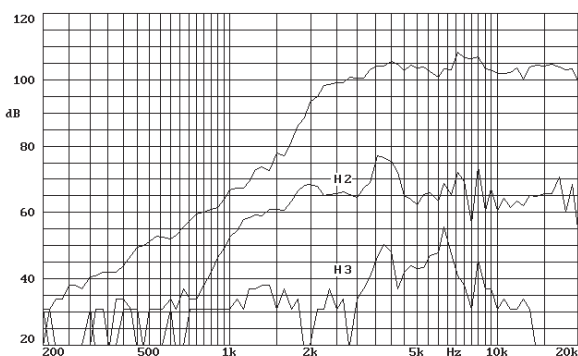
### GENERAL DESCRIPTION

This compression tweeter is designed for use in multi-element loudspeaker systems in both sound reinforcement and studio applications. It features smooth response with wide controlled dispersion in the horizontal plane (140°). The voice coil is wound from flat aluminium wire, bonded to an aluminium diaphragm for extended response and excellent transient attack. The diaphragm assembly is field replaceable without soldering.

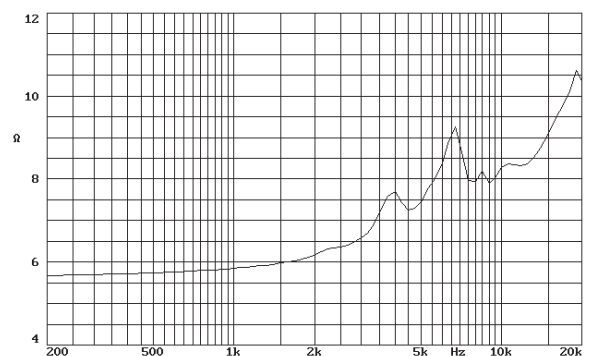
### HORIZONTAL POLAR PATTERN



### FREQUENCY RESPONSE AND DISTORTION CURVES



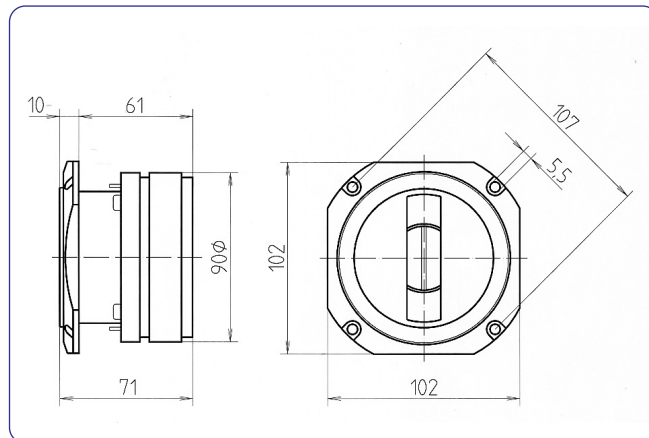
### FREE AIR IMPEDANCE CURVE



### TECHNICAL SPECIFICATIONS

Rated impedance		8 ohms.
Minimum impedance	8 ohms. @ 9 kHz	
D.C. Resistance		6.1 ohms.
Power capacity*		25 w AES
Program Power		50 w
Sensitivity**	105 dB 1w @ 1m.	
Frequency range		3.5 - 20 kHz
Recommended crossover		5 kHz or higher
Dispersion H x V		140° x 40°
Voice coil diameter		37.6 mm. 1.5 in.
Magnetic assembly weight		1.2 kg. 2.64 lb.
Flux density		1.55 T
BL Factor		5.2 N/A

### DIMENSION DRAWINGS



### MOUNTING INFORMATION

Overall diameter	102 x 102 mm.	4 x 4 in.
Depth	72 mm.	2.83 in.
Baffle cutout dimensions	ø 92 mm.	3.62 in.
Bolt circle diameter	107 mm.	4.21 in.
Net weight	1.7 kg.	3.75 lb.
Shipping weight	1.75 kg.	3.85 lb.

#### Notes:

\*The power capacity is determined according to AES2-1984 (r2003) standard. Program power is defined as the transducer's ability to handle normal music program material.

\*\*Sensitivity was measured at 1 m distance, on axis, with 1 w input, averaged in the range 3-15 kHz

### MATERIALS

- **Diaphragm:** Aluminium
- **Voice coil:** Edgewound aluminium ribbon
- **Voice coil former:** Kapton
- **Magnet:** Ferrite



acústica beyma, s.a.