

KEY FEATURES

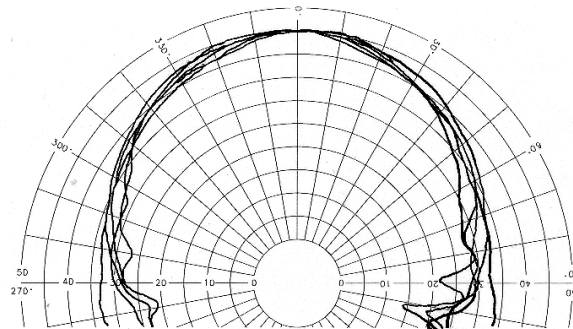
- 1" (25.8 mm) edgewound aluminium ribbon voice coil
- Great power handling, in spite of its small size: 15 w AES
- Aluminium diaphragm
- Constant directivity horn to achieve an extended coverage angle: 90° x 60°
- Excellent transient response
- High Sensitivity: 104 dB



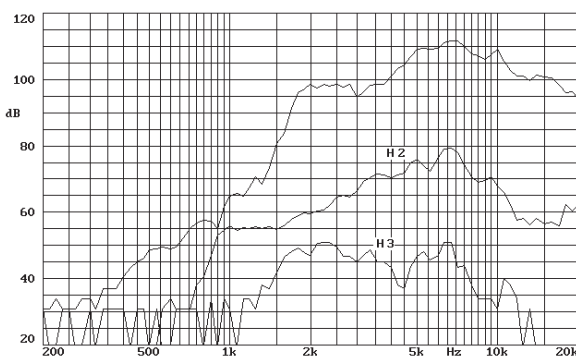
GENERAL DESCRIPTION

This compression tweeter is a professional lightweight unit, featuring an aluminium voice coil-diaphragm assembly and constant directivity horn. The voice coil is wound from flat aluminium wire, bonded to an aluminium diaphragm for extended response and excellent transient attack. This device has a wide controlled dispersion in the horizontal and vertical axes (90° x 60°), and a smooth response in all its frequency range with an incredibly high sound pressure. The diaphragm assembly is field replaceable without soldering.

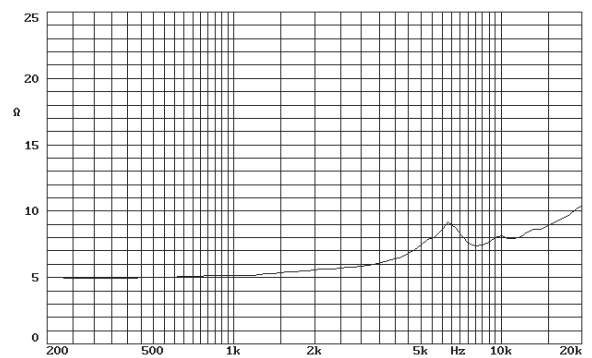
HORIZONTAL POLAR PATTERN



FREQUENCY RESPONSE AND DISTORTION CURVES



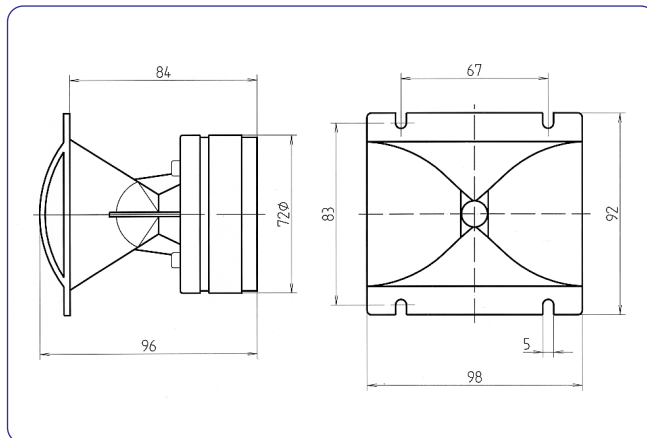
FREE AIR IMPEDANCE CURVE



TECHNICAL SPECIFICATIONS

Rated impedance		8 ohms.
Minimum impedance	7.5 ohms. @ 8 kHz	
D.C. Resistance		5 ohms.
Power capacity*		15 w AES
Program Power		30 w
Sensitivity**	104 dB 1w @ 1m.	
Frequency range		2 - 20 kHz
Recommended crossover	6 kHz, 12 dB/oct. min.	
Dispersion H x V		90° x 60° conical
Voice coil diameter		25.8 mm. 1 in.
Magnetic assembly weight		0.7 kg. 1.54 lb.
Flux density		1.4 T
BL Factor		4 N/A

DIMENSION DRAWINGS



MOUNTING INFORMATION

Overall diameter	98 x 92 mm.	3.85 x 3.6 in.
Depth	96 mm.	3.78 in.
Baffle cutout dimensions	90 x 70 mm.	3.54 x 2.75 in.
Net weight	0.75 kg.	1.65 lb.
Shipping weight	0.85 kg.	1.87 lb.

Notes:

*The power capacity is determined according to AES2-1984 (r2003) standard. Program power is defined as the transducer's ability to handle normal music program material.

**Sensitivity was measured at 1 m distance, on axis, with 1 w input, averaged in the range 3-15 kHz

MATERIALS

- **Diaphragm:** Aluminium
- **Voice coil:** Edgewound aluminium ribbon
- **Voice coil former:** Nomex
- **Magnet:** Ferrite



acústica beyma, s.a.