

WOOFER GDN 13/40/10

9 5151 248

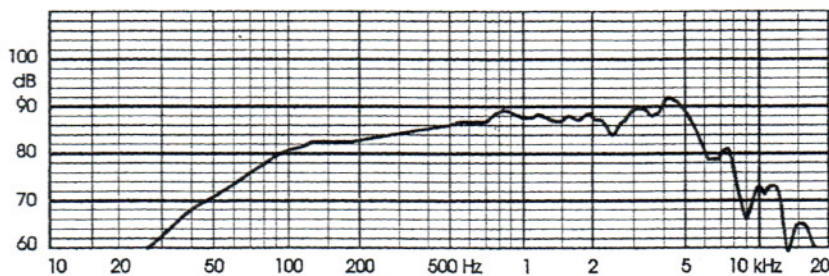
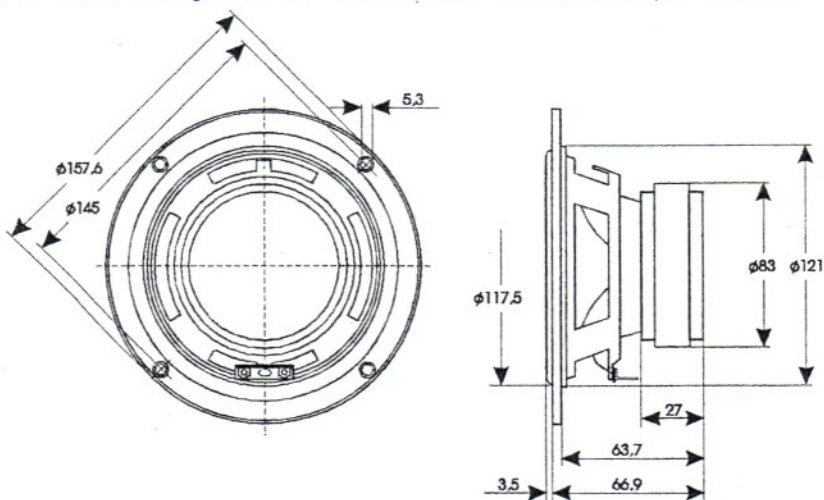
TECHNICAL DATA

Rated impedance	12	15	Ω
Voice coil resistance	10,4	13	Ω
Rated frequency range	90 to 4000		Hz
Resonance frequency	56		Hz
Power handling capacity / enclosure 5 dm ³ , 100 h continuous /	40		W
Max. power	80		W
Sensitivity	87		dB
Flux density	1,02		T
Energy in air gap	208		mJ
Force factor - Bl	8,04	8,46	Tm
Piston area - S _D	84 x 10 ⁻⁴		m ²
Total moving mass - M _{MS}	9,8 x 10 ⁻³		kg
Compliance /loudspeaker unmounted/ - C _{MS}	0,89 x 10 ⁻³		m/N
Equivalent box volume - V _{AS}	8,8 x 10 ⁻³		m ³
Quality factor /loudspeaker unmounted/			
- mechanical - Q _{MS}	4,69	3,90	
- electrical - Q _{ES}	0,515	0,60	
- total - Q _{TS}	0,465	0,52	
Air - gap	25/6/1,05		mm
Voice coil height	11,5	12	mm
Magnet			
- material	ferrite		
- dimensions	83/31/15		mm
- mass	0,35		kg
Mass of loudspeaker	0,95		kg

The loudspeaker has polypropylene cone, rubber surround and concave plastic dust cap.
Connection is by 4,8mm x 0,8mm and 2,8mm x 0,8mm tag connectors or by soldering.

AVAILABLE VERSIONS

- GDN 13/40/10 - 12 Ω , catalogue number 9 5151 248 08 - black cone, Kapton voice coil former
- GDN 13/40/10 - 15 Ω , catalogue number 9 5151 248 02 - black cone, Kapton voice coil former



FREQUENCY RESPONSE CURVE

Measured in anechoic room at 1W/1m. Loudspeaker mounted in sealed 5 dm³ enclosure.