

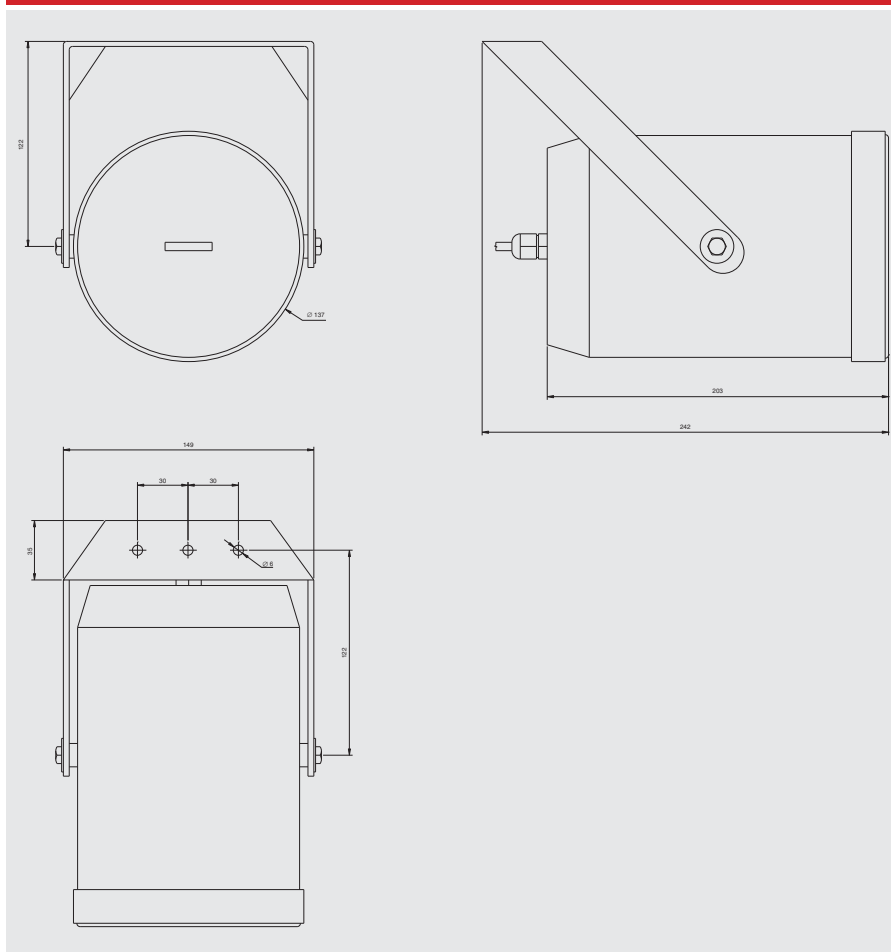


## CSP 150

### CSP 150

### Sound projector

Sound projector with slim polar directivity pattern. Suitable for both interior and exterior sounding. One side directivity.



### Technical datas

- power 20 W rms / 100V
- input impedance min. 1 kOhm
- eq. sensitivity 91 dB / 1W, 1m
- frequency response 160 – 16 000 Hz
- 5,5" dual cone speaker
- 3 power steps
- suitable for both interior and exterior sounding

- waterproof
- steel console
- IP 55 class protection
- white cream ABS
- dimensions dia. 137 x 203 mm

Cat. nr.: 210007

pc