

KEY FEATURES

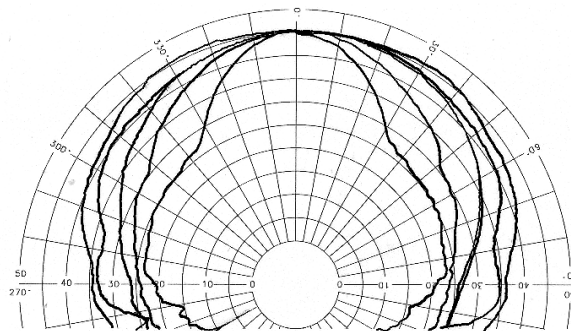
- 1" (25.8 mm) edgewound aluminium ribbon voice coil
- Great power handling: 15 w AES
- Narrow directivity: 40° conical
- High sensitivity: 105 dB
- Designed for outdoor applications



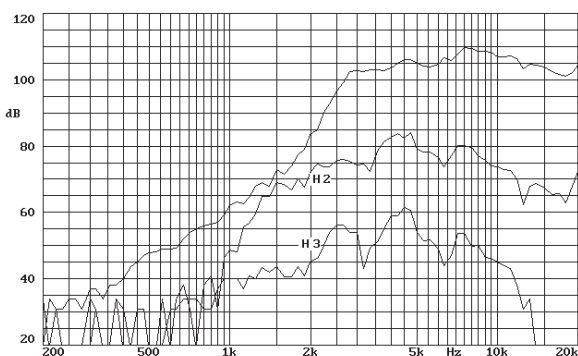
GENERAL DESCRIPTION

This compression tweeter is designed for using in multi-element loudspeaker systems in sound reinforcement applications that require high output, narrow controlled dispersion and long throw. This model produces a very high output level with flat response and excellent transient attack. This unit features an aluminium voice coil diaphragm assembly, which is field replaceable without soldering.

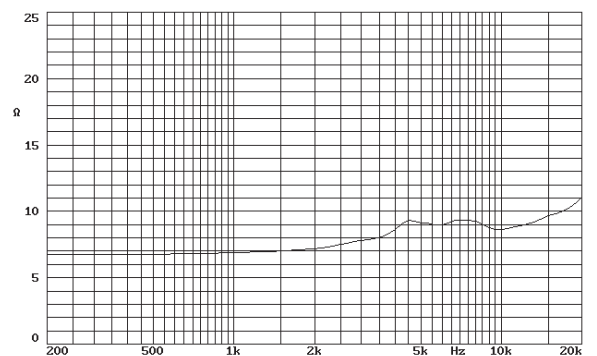
HORIZONTAL POLAR PATTERN



FREQUENCY RESPONSE AND DISTORTION CURVES



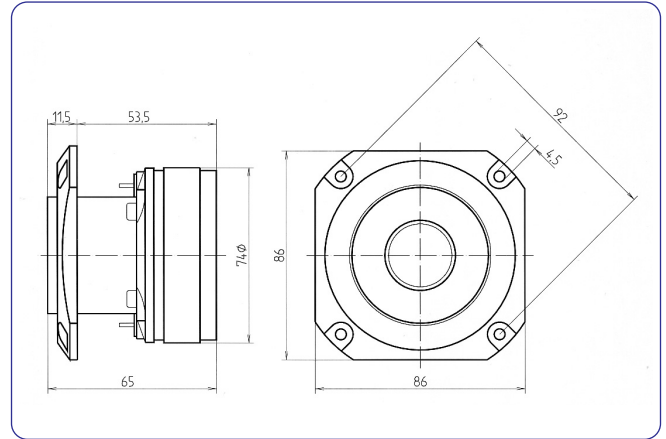
FREE AIR IMPEDANCE CURVE



TECHNICAL SPECIFICATIONS

Rated impedance	8 ohms.
Minimum impedance	8.5 ohms. @ 10 kHz
D.C. Resistance	7.3 ohms.
Power capacity*	15 w AES
Program Power	30 w
Sensitivity**	105 dB 1w @ 1m.
Frequency range	3 - 20 kHz
Recommended crossover	6 kHz or higher
Dispersion H x V	40° conical
Voice coil diameter	25.8 mm. 1 in.
Magnetic assembly weight	0.66 kg. 1.45 lb.
Flux density	1.45 T
BL Factor	4 N/A

DIMENSION DRAWINGS



MOUNTING INFORMATION

Overall diameter	86 x 86 mm.	3.38 x 3.38 in.
Depth	65 mm.	2.56 in.
Baffle cutout dimensions	ø 75 mm.	2.95 in.
Bolt circle diameter	92 mm.	3.62 in.
Net weight	0.76 kg.	1.67 lb.
Shipping weight	0.8 kg.	1.76 lb.

Notes:

*The power capacity is determined according to AES2-1984 (r2003) standard. Program power is defined as the transducer's ability to handle normal music program material.

**Sensitivity was measured at 1 m distance, on axis, with 1 w input, averaged in the range 3-15 kHz

MATERIALS

- **Diaphragm:** Aluminium
- **Voice coil:** Copper
- **Voice coil former:** Kapton
- **Magnet:** Ferrite



acústica beyma, s.a.