

KEY FEATURES

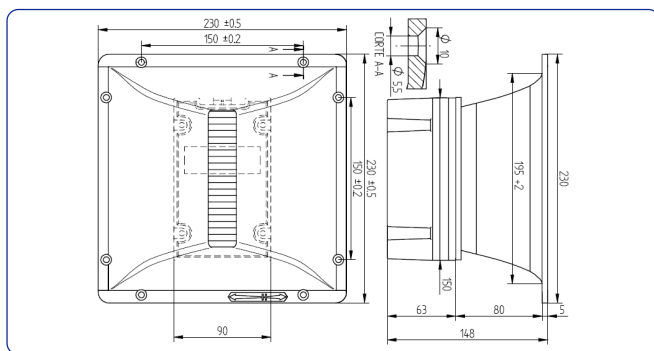
- Superior sound reproduction quality
- Extended frequency response (0.7 - 23 kHz)
- Coverage angles of 80° in the horizontal plane and 30° in the vertical plane
- High sensitivity (102dB)
- Extremely linear frequency response
- Low distortion
- Precise directivity control in the pass band

TECHNICAL SPECIFICATIONS

Rated impedance	8 ohms
D.C Resistance	4.9 ohms
Power capacity*	80 w AES above 1 kHz
Program power	160 w above 1 kHz
Sensitivity	102 dB 1w @ 1m
Frequency range	0.7-23 kHz
Recommended crossover	1kHz or higher (12dB/oct. min)
Horizontal beamwidth	80°(+9°, -20°) (-6dB, 1.2-16 kHz)
Vertical beamwidth	30°(+27°, -21°) (-6dB, 1.2-16 kHz)
Directivity factor (Q)	27 (average 1.2-16 kHz)
Directivity index (DI)	13 dB (+6 dB, -4.5)
Cutoff frequency	800 Hz
Overall dimensions (WxHxD)	230X230X148 mm. 9.05x9.05x5.8 in.
Cutout dimensions (WxH)	195x195 mm. 7.68x7.68 in.
Net Weight	3.68kg. 8.10 lb.
Shipping Weight	4.08 kg. 8.76 lb.



DIMENSION DRAWINGS

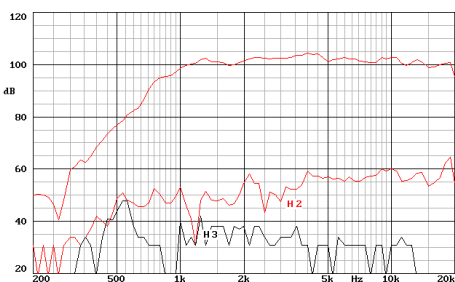


Notes:

*The power capacity is determined according to AES2-1984 (r2003) standard.
Program power is defined as the transducer's ability to handle normal music program material.

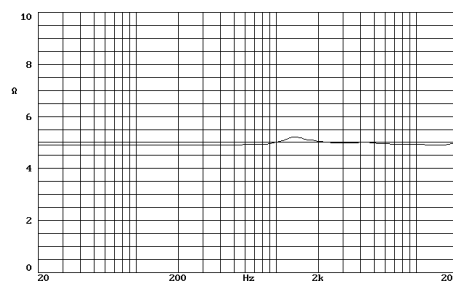
**Sensitivity was measured at 1 m distance, on axis, with 1 w input, averaged in the range 2.5 - 20 kHz.

FREQUENCY RESPONSE AND

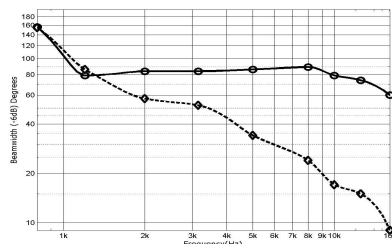


Note: on axis frequency response measured in anechoic chamber, 1w @ 1m.

FREE AIR IMPEDANCE CURVE



-6dB BEAMWIDTH



Note: Horizontal beamwidth is represented by heavy line.
Vertical beamwidth is represented by the discontinuous line.

DIRECTIVITY INDEX

